



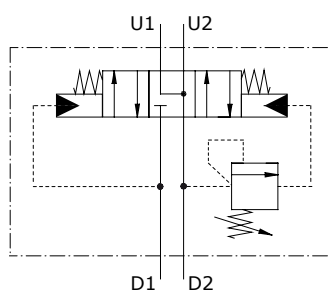
Type VRCL/KD regenerative valves

- Regenerative

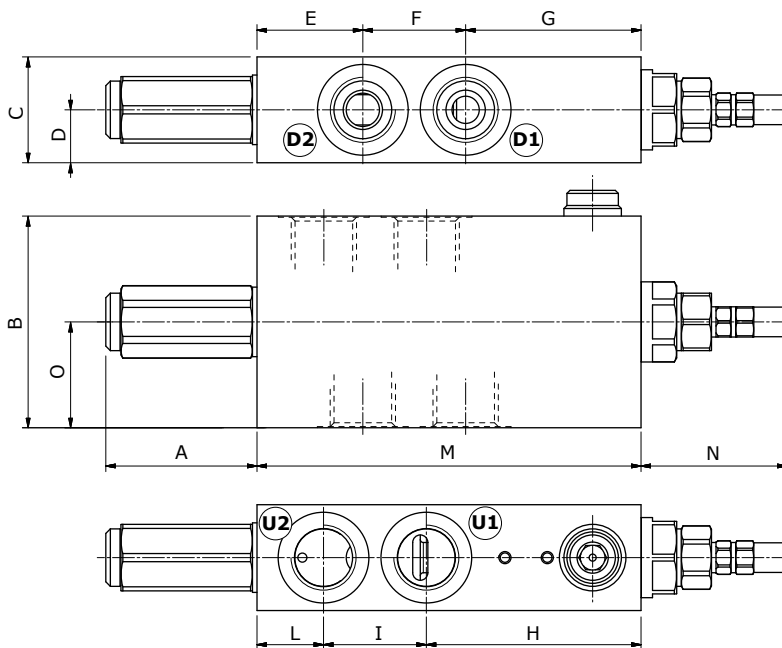
Technical specifications and diagrams are measured with mineral oil of 46 cSt viscosity at 40°C (104°F) temperature.

	VRCL/KD 38	VRCL/KD 12	VRCL/KD 34	VRCL/KD 100
Nominal flow	30 l/min (7.9 US gpm)	50 l/min (13.2 US gpm)	90 l/min (23.8 US gpm)	150 l/min (39.6 US gpm)
Max. pressure	350 bar (5100 psi)			
Fluid	mineral based oil			
Viscosity	from 10 to 200 cSt			
Max. level of contamination	18/16/13 ISO4406			
Fluid temperature	with NBR seals from -20°C (-4°F) to 80°C (176°F)			
Environmental temp. for working conditions	from -40°C (-40°F) to 100°C (212°F)			
Weight	steel 3.65 kg (8.05 lb)	3.55 kg (7.83 lb)	5.50 kg (12.12 lb)	10.12 kg (22.31 lb)

NOTE - For different conditions, please contact Walvoil Sales Dpt.



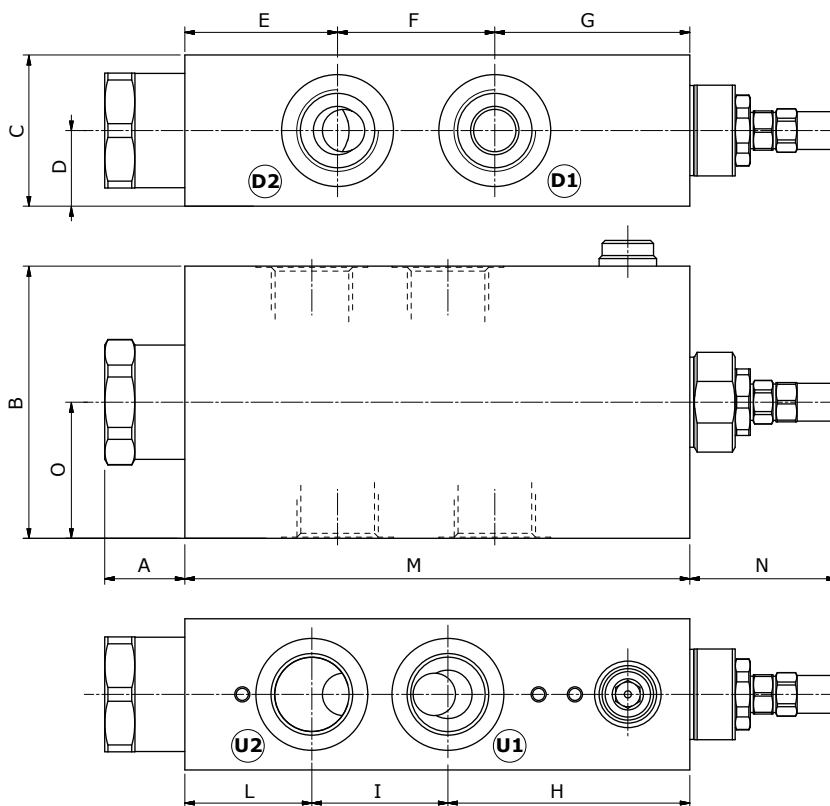
Dimensions



Valve type	All ports
VRCL/KD 38	G3/8
VRCL/KD 12	G1/2

Dimensions are in mm-in

Valve Type	A	B	C	D	E	F	G	H	I	L	M	N	O
VRCL/KD 38	50-1.97	70-2.75	35-1.38	17.5-0.69	35-1.38	34-1.34	58-2.28	71-2.79	34-1.34	22-0.87	127-5	48.5-1.91	35-1.38
VRCL/KD 12	50-1.97	70-2.75	35-1.38	17.5-0.69	35-1.38	34-1.34	58-2.28	71-2.79	34-1.34	22-0.87	127-5	48.5-1.91	35-1.38



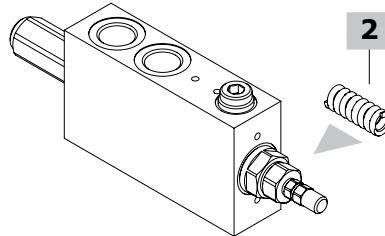
Valve type	All ports
VRCL/KD 34	G3/4
VRCL/KD 100	G1"

Dimensions are in mm-in

Valve Type	A	B	C	D	E	F	G	H	I	L	M	N	O
VRCL/KD 34	27-1.06	90-3.54	50-1.97	25-0.98	50.5-1.99	52-2.05	64.5-2.54	80-3.15	45-1.77	42-1.65	167-6.57	48.5-1.91	45-1.77
VRCL/KD 100	26-1.02	100-3.94	60-2.36	30-1.18	77-3.03	68-2.68	90-3.54	111.5-4.39	57-2.24	66.5-2.62	235-9.25	43-1.69	50-1.97

Ordering codes and description composition

Port size
VRCL/KD 38/TS.S
1



VRCL/KD complete valves

Steel body, standard setting 100 bar (1450 psi) at 10 l/min (2.64 US gpm)

TYPE	CODE	DESCRIPTION
VRCL/KD 38/TS.S/ac	1245023102	G3/8 port thread, setting range 50-220 bar (725-3200 psi)
VRCL/KD 12/TS.S/ac	1245033101	G1/2 port thread, setting range 50-220 bar (725-3200 psi)
VRCL/KD 34/TS.S/ac	1245043100	G3/4 port thread, setting range 50-220 bar (725-3200 psi)
VRCL/KD 100/TS.S/ac	1245053100	G1" port thread, setting range 50-220 bar (725-3200 psi)

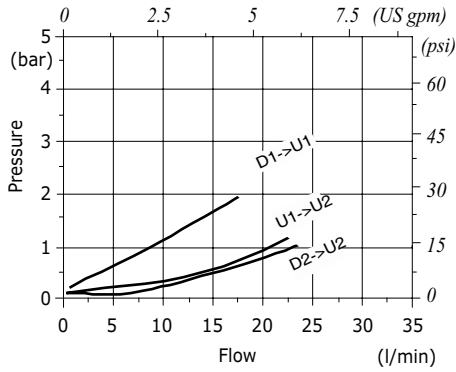
For other configurations, SAE threads and configurations with FPM (Viton) seals, please contact our Sales Dpt.

1 Pressure setting springs

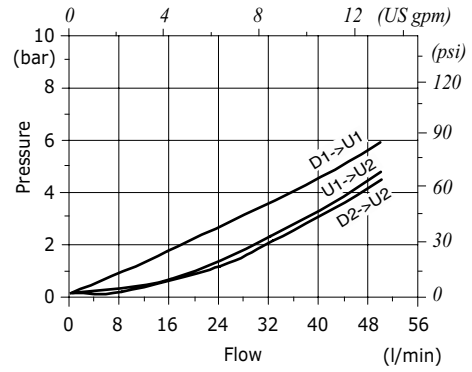
TYPE	CODE	DESCRIPTION
For VRCL/KD 38 and VRCL/KD 12 valves		
TB	3ML1081400	Setting range 5-80 bar (72.5-725 psi)
TS	3ML1081401	Setting range 50-220 bar (725-3200 psi)
TR	3ML1081402	Setting range 180-350 bar (2600-5100 psi)
For VRCL/KD 34 and VRCL/KD 100 valves		
TV	3ML1092500	Setting range 5-50 bar (72.5-1150 psi)
TS	3ML1092501	Setting range 20-220 bar (290-3200 psi)
TR	3ML1092502	Setting range 180-350 bar (2600-5100 psi)

Rating diagrams

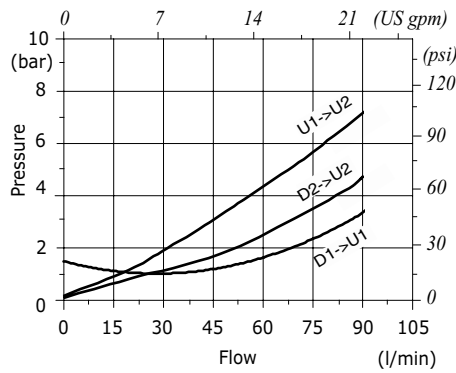
VRCL/KD 38 pressure drop vs. flow



VRCL/KD 12 pressure drop vs. flow



VRCL/KD 34 pressure drop vs. flow



VRCL/KD 100 pressure drop vs. flow

