



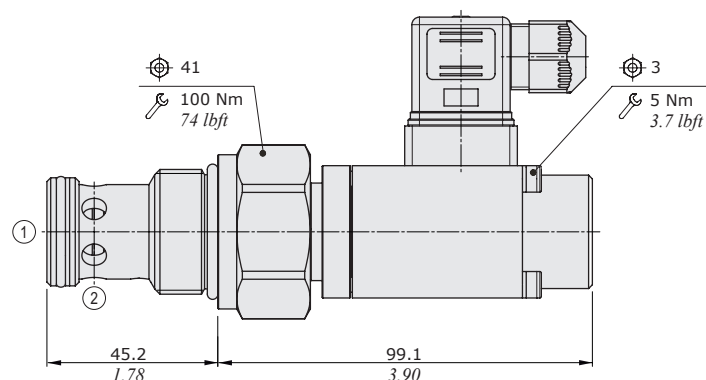
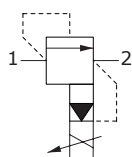
MP16Y type pressure relief valve - 2 way

- Solenoid proportional type, pilot operated
- Increasing pressure with increasing current (NO)
- Spool type

Technical specifications and diagrams are measured with mineral oil of 46 cSt viscosity at 40°C (104°F) temperature.

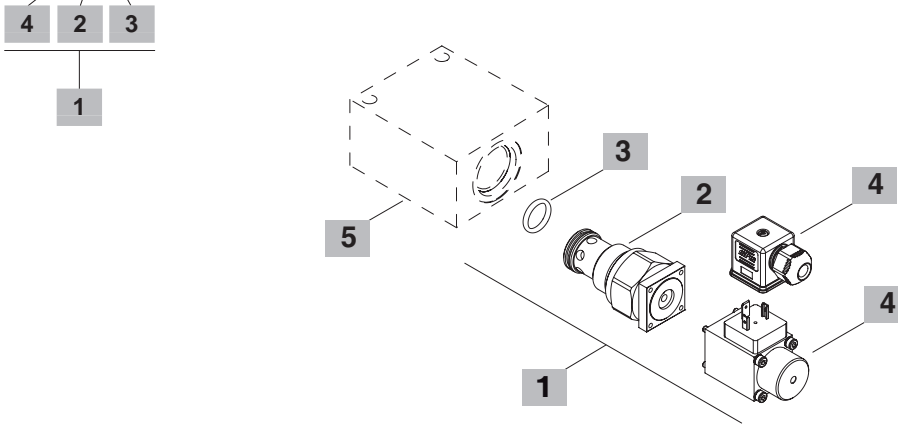
MP16Y		
Nominal flow		5 l/min (1.32 US gpm)
Max. flow		150 l/min (40 US gpm)
Max. pressure		Line 1=350 bar (5100 psi); Line 2=210 bar (3045 psi)
Oil leakage	80% of max. pressure setting	200 cm ³ /min (12.20 in ³ /min)
Fluid		mineral based oil
Viscosity		10-200 cSt
Max level of contamination		18/16/13 ISO4406
Fluid temperature	with NBR seals with FPM seals	from -20°C (-4°F) to 80°C (176°F) from -20°C (-4°F) to 100°C (212°F)
Environmental temp. for working conditions		from -40°C (-40°F) to 100°C (212°F)
Cavity		SAE 16/2
Coil type*		MP35
Nominal voltages		12 VDC - 24VDC
Power rating		11.2 W (12 VDC) - 11.4 W (24 VDC)
Max control current		12 V -> 1.25 A - 24 V -> 0.68 A
Dither frequency		150 Hz
Hysteresis		≤4%
Weight		0.96 kg (2.11 lb)

NOTE - For different conditions, please contact Walvoil Sales Dpt. - For coils further features see from page 206.



Ordering codes and description composition

MP16Y/021B



1 Cartridges

TYPE	CODE	DESCRIPTION
MP16Y/021B	OMP16002007	Pressure range 1 , 12VDC
MP16Y/022B	OMP16002002	Pressure range 2 , 12VDC
MP16Y/023B	OMP16002009	Pressure range 3 , 12VDC
MP16Y/024B	OMP16002011	Pressure range 4 , 12VDC

2 Pressure range

TYPE	DESCRIPTION
1	Pressure range 10÷100 bar (145÷1450 psi)
2	Pressure range 50÷200 bar (725÷2900 psi)
3	Pressure range 80÷350 bar (1160÷5100 psi)
4	Pressure range 5÷40 bar (72.5÷580 psi)

3 Seals

TYPE	DESCRIPTION
B	NBR (Buna) o-ring seals, std configuration
V	FPM (Viton) o-ring seals, contact Sales Dept.

4 Coils and connectors

TYPE	CODE	DESCRIPTION
2) MP35 12VDC	5SL4000120	12VDC-ISO4400 coil
ISO4400	4CN1009995	Connector
4) MP35 24VDC	4SL4000240	24VDC-ISO4400 coil
ISO4400	4CN1009995	Connector

For complete coils and connectors list see from page 206

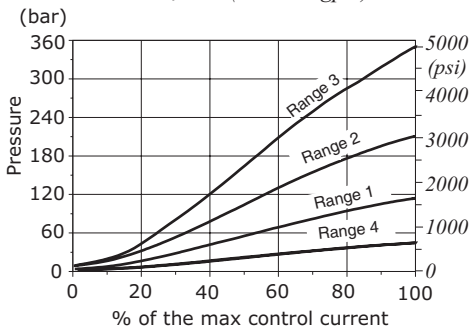
5 Valve body

TYPE	CODE	DESCRIPTION
SAE 16/2-G 3/4	3CC1620E11	Aluminium body for cavity 16 valve, G 3/4 std thread

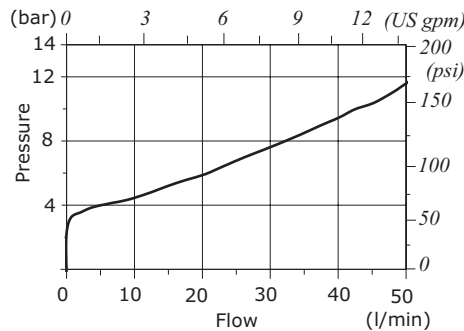
Note: aluminium body can stand up to 210 bar (3050 psi)
For steel bodies or different threading see from page 215

Rating diagrams

Pressure setting vs. % max. control current at 5 l/min (1.32 US gpm)



Pressure vs. flow 1->2 with de-energized coil



Pressure vs. flow 1->2 for % of control current - Pressure range 2 -

